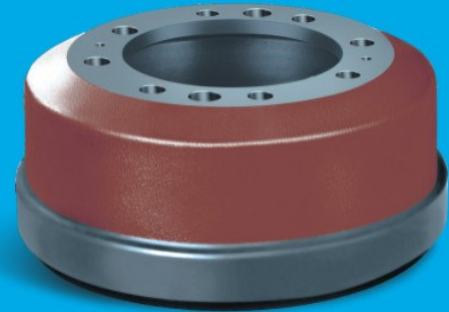
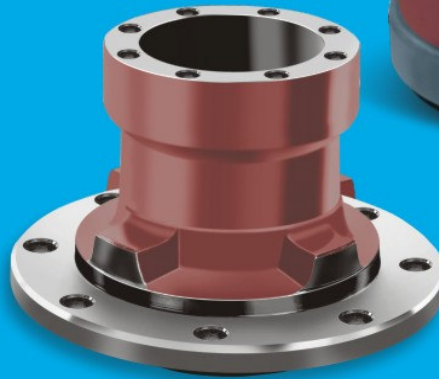
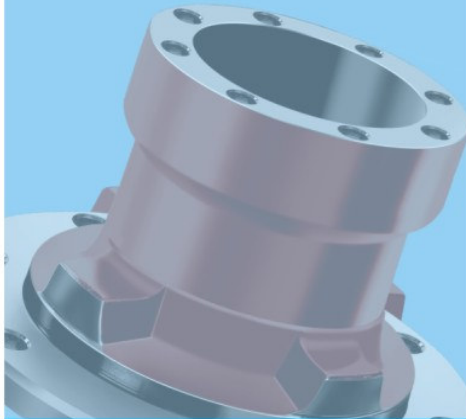


Hubs & Brake Drums

Proven design specification • High fatigue strength & endurance to road shocks for longer life • Proper spread of bearings for uniform load sharing • Optimum heat dissipation • High resistance to wear during braking • Resistance to warping / buckling • Optimum brake liner life



Leyparts stands for the comprehensive range of genuine spares for Ashok Leyland vehicles and engines with 100% conformity to OE specifications. Leyparts are easily available through an extensive network of Ashok Leyland Dealers / Distributors and also the Retail outlets across the country.



Hubs & Brake Drums



8 WB & 10 WB Hubs for AL vehicles

8 WB & 10 WB Brake Drums for AL vehicles

Leyparts Hubs

- The forgings and castings are tested for metallurgical quality and grain flow pattern.
- Critical parameters controlled in the machining process are the radius of flange fillets, bearing bore diameter and its surface finish.
- Sophisticated measuring instruments used to scrutinize wheel bolt hole dia & oil seal bore for dimensional accuracy.
- The grease plug & gutter holes in the hub assembly provide adequate lubrication to the bearings.

Leyparts Brake Drums

- Optimum heat dissipation and high resistance to wear are primary characteristics adhered to.
- Each drum is thoroughly examined for material durability & dimensional accuracy.
- Proper annealing of castings is done to relieve chilled spots which are responsible for wear properties.

Always use Ashok Leyland Genuine Spares from



Ashok Leyland

Spare Parts Division, 480, Anna Salai, Chennai-600 035
Phone: (044) 24341536, Fax: (044) 24340150
Website: www.ashokleyland.com
www.leyparts.com

